

*entry*

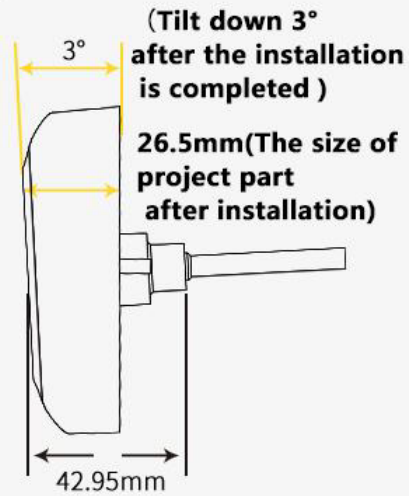
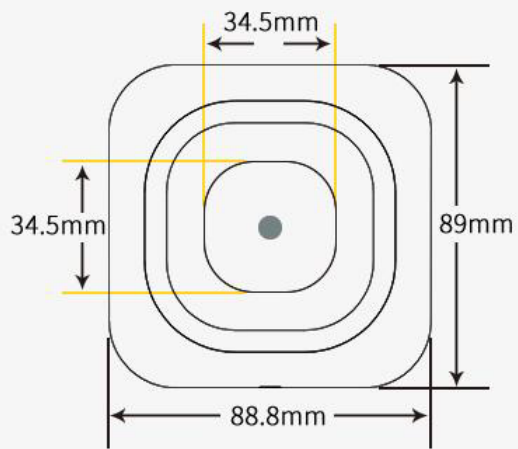
**E QR R2**

---

Help you open the era of  
QRcode access control



# E QR R2 embedded QR code scanning module



01

## IP66 Safe and Stable

IP66 means the product completely prevents foreign matter from entering, and completely prevent dust from entering, when flushed by strong waves or strong water, the amount of water in the product should not reach a harmful effects



## QR code & NFC Create intelligent access control

02

Can read IC card(non-contact), ID card, M1 card, NFC phone  
——Not just a scanner



Power on  
**Green light**  
constant bright normally



**Red light flicker**  
means do not get pass permission  
(under Ethernet)

When the device fails, the blue light constant bright



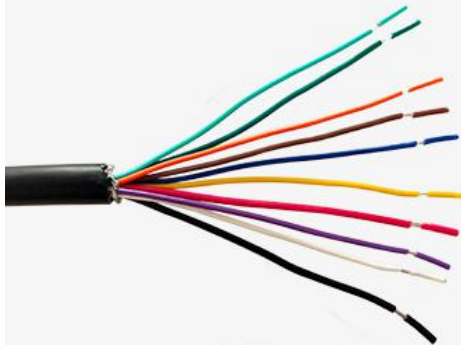
# 03

## Various output mode can be selected easy to connect

Support wiegand, USB, Ethernet output  
Built-in Ethernet relay module

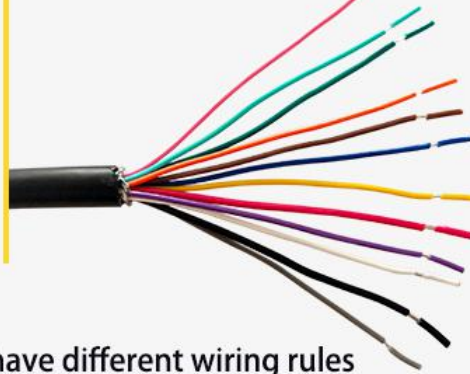
wiegand  
RS485 output

Black 17cm  
5PIN 1.5 pitch  
5PIN 1.25 pitch to bare wire  
(10 bare core wire)



Ethernet output

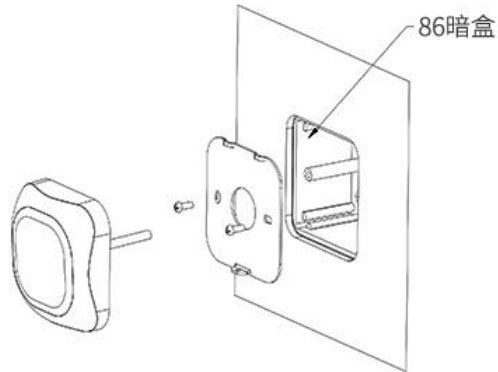
Black 17cm  
5PIN 1.5 pitch  
7PIN 1.5 pitch to bare wire  
(12 bare core wire)



Different output mode have different wiring rules  
See the product operation guide for details



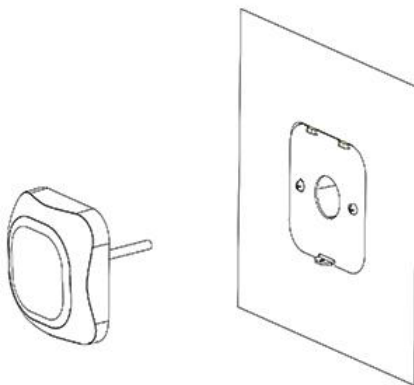
# Installation



1. Screw the back of the metal plate onto the box in the wall



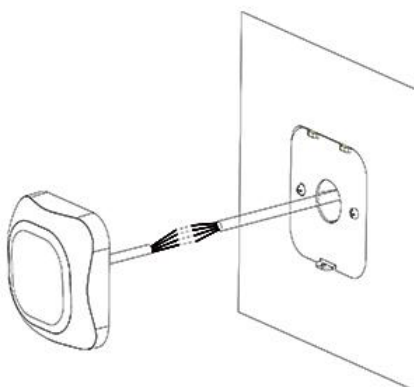
3. Tilt and install hung the top two hooks and press



2. Wiring according to the operation guide



4. Tighten the set screws from below



5. The installation is complete

# Multi-angle display product



Specification Parameters of MP86 series	
Working voltage	9V ~ 15V (recommended 12V)
Working current	120mA (12V)
Recognition Window size	34.5*34.5mm, R12mm
Waterproof rating	IP66
DOF	5mm-55mm (QR code 15mil)
Scanning feedback	Red, green and blue led light prompt
FOV	Horizontal Field: 73 degree, Vertical field: 55degree
Symbologies	Two-dimensional: QR Code, Data Matrix, etc. One-dimensional: EAN-8, EAN-13, ISBN-10, ISBN-13, UPC-E, UPC-A, CODE39, CODE93, CODE128, etc.
Output mode	RS485, Wiegand, Ethernet
Compatible system	Windows(XP/7/8/10), Android, Linux, Mac, etc.
Development interfaces	RS485 one-connected-more protocol
Card swiping supports	Supporting NFC sweep card;support ID card, NFC phone, non-contact IC card, M1 induction card,etc.
Applied environment	Temperature -20 ~ 70℃, Humidity 0%~ 95%, Static Protection: EN 61000-4-2, Ambient light 0 ~ 70000Lux
Size	88.8*89*43mm
Weight	167.2g
Decoding mode	Image-based decoding engine
Material	ABS